

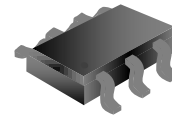
2A, 18V, 500KHz SYNCHRONOUS STEP-DOWN DC-DC CONVERTER

1.DESCRPTION

The SD46102A is a high efficiency, synchronous step down DC-DC converter with low impedance internal MOSFET. The operating input voltage range is from 4.5V to 18V, and the output voltage range is from 0.6V to 5V and achieve up to 2A continuous output current with excellent load and line regulation performance.

The SD46102A works in Constant On-Time (COT) mode control which can support very fast transient response, and adopts internally compensation to minimize and ease the requirements of external components.

The SD46102A is offered in SOT-23-6L package and greatly reduced the area of PCB.



SOT-23-6L

2.FEATURES

- ◆ 0.6V ±2% reference accuracy
- ◆ 4.5V-18V VIN range
- ◆ Up to 2A Output Current
- ◆ High Efficiency
- ◆ 500kHz Switching Frequency
- ◆ Fast transient response
- ◆ Short-circuit protected
- ◆ Internal over-voltage and under-voltage protected
- ◆ Input over voltage protection
- ◆ Over-current protection
- ◆ Thermal shutdown
- ◆ Hiccup Mode operation
- ◆ Available in SOT-23-6L package

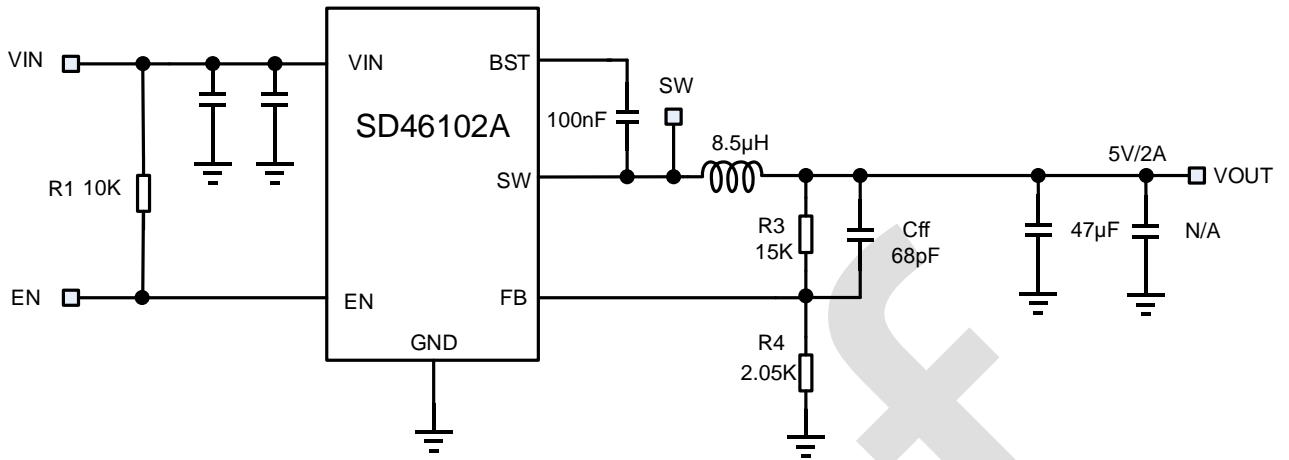
3.APPLICATIONS

- ◆ Digital STB
- ◆ Displayer
- ◆ Router

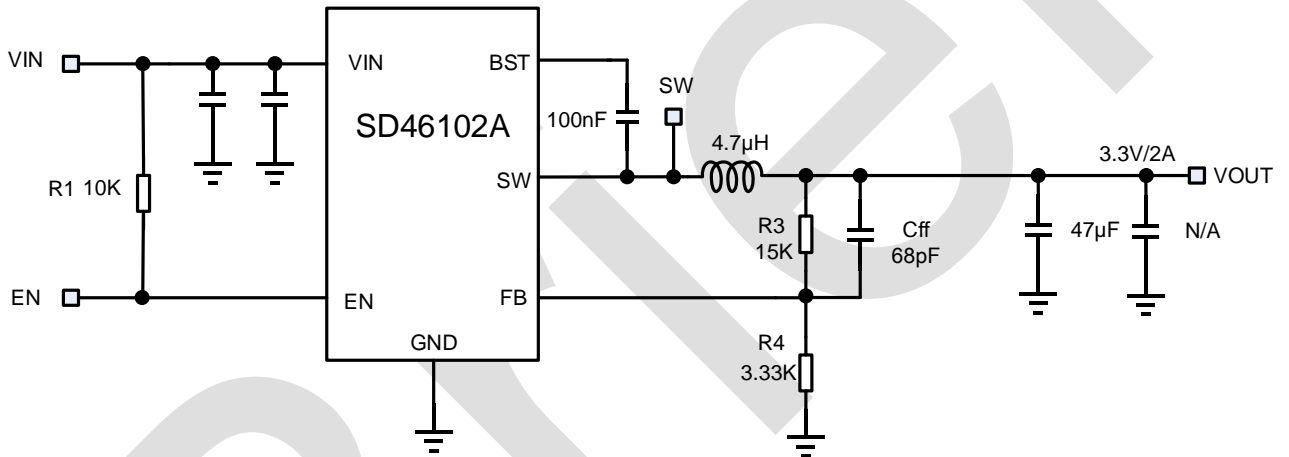
4.ORDERING INFORMATION

Part No.	Package	Marking	Hazardous Substance Control	Packing Type
SD46102A	SOT-23-6L	102A	Halogen free	Tube
SD46102ATR	SOT-23-6L	102A	Halogen free	Tape&Reel

5. TYPICAL APPLICATION CIRCUIT

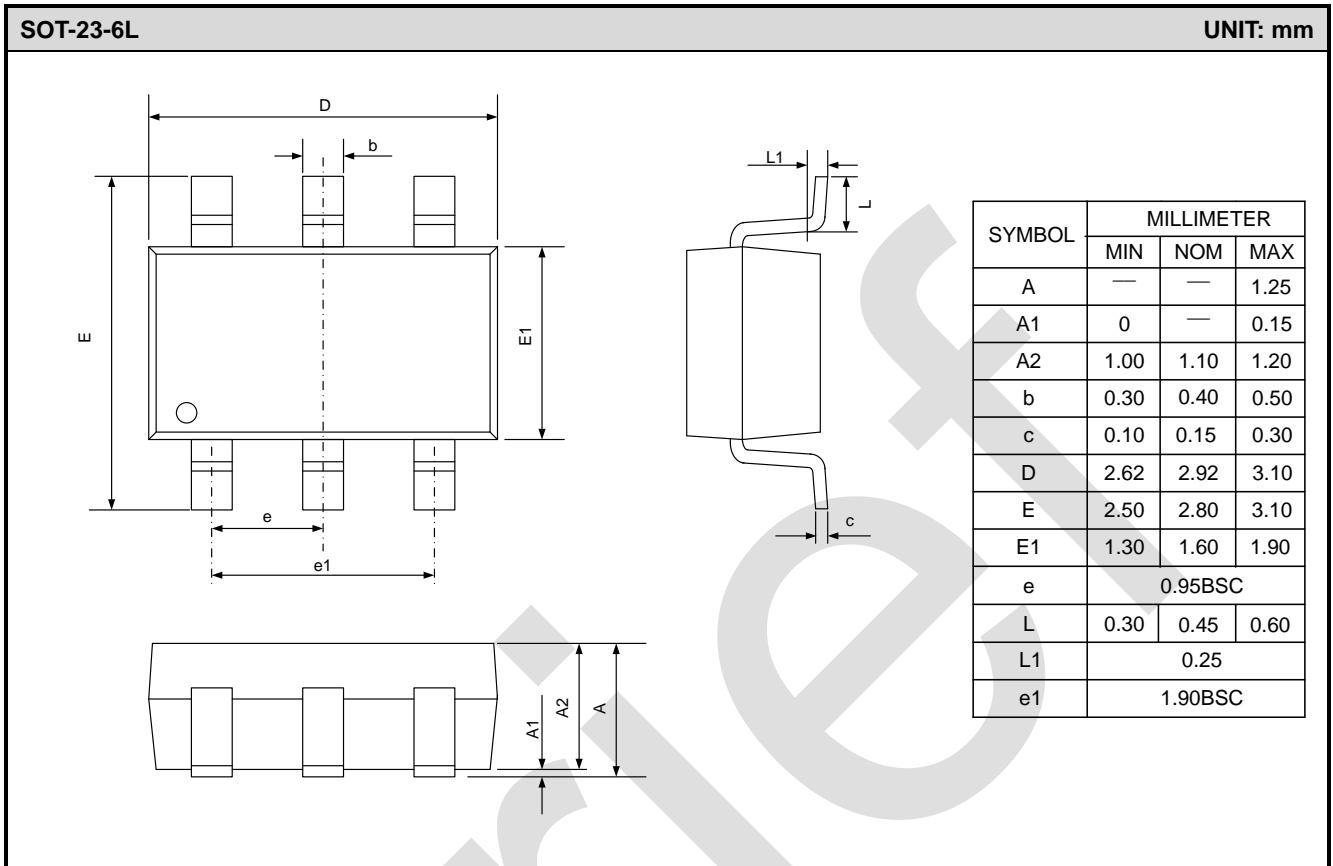


Vin=12V, Vout=5V, typical application circuit



Vin=12V, Vout=3.3V typical application circuit

6.PACKAGE OUTLINE



Important notice :

1. Silan reserves the right to make changes of this instruction without notice.
2. Customers should obtain the latest relevant information when purchasing and should verify whether such information is latest and complete. Please read this instruction and application manual and related materials carefully before using products, including the circuit operation precautions, etc.
3. The products belong to consumer electronic products. Silan does not give any warranties as to the suitability of the Silan's product for any specific use. The design intent, design definition and design of the product are not intended for application (the application stated in this instruction includes use, etc.) in transportation equipment, medical equipment, life-saving equipment, aerospace equipment, , non-civil equipment or non-civil use, etc. (the equipment stated in this instruction includes systems, devices, etc., all referred to as equipment).The product should not be used in any equipment or system whose manufacture, use or sale is prohibited under any applicable laws or regulations ("unintended use"). If the product is used for unintended use, therefore the full risks of such products application are borne by the customer and Silan assumes no liability for the product used for the unintended use. If the customer intends to use the Silan's product in a application where malfunction or failure can be reasonably be expected to result in personal injury, or serious property, or environment damage, the customer shall make adequate assessment, testing and verification, and Silan shall not be liable for such applications.
4. The application of the product described in this instruction, the application manual of the product and related materials is for illustrative purposes only, and Silan makes no warranty that such application can be used directly without further testing, verification or modification. Silan is not responsible for any assistance in product application or customers' product design. Customer shall be responsible for the application of Silan's products and the design, manufacture and use of customers' products using Silan's products (in this document, "use products", "apply Silan's products", "product application" and "customers' products using Silan's products" are synonymous). It is the sole responsibility of the customer to take the following actions: 1) Verify and determine whether Silan's products are suitable for the customers' applications and customers' products; 2) All applicable standards of the customers' industry shall be complied with and fully tested and verified when applying Silan's product or using Silan's product to develop and design customers' products; 3) Although Silan is constantly committed to improve product's quality and reliability, semiconductor products have possibility to malfunction or fail in various application environments. Customers are responsible for complying with safety standards and for providing adequate designs and safeguards for customers' products using Silan's product to minimize risks and avoid situations in which a malfunction or failure could cause bodily injury or damage to property; 4) When using the products, please do not exceed the maximum rating of the products, Stress above one or more limiting values will cause damage to the product and the equipment or affect the reliability to the equipment (customers' product); 5) Ensure customers' product using Silan's product are designed, manufactured and used in full compliance with all applicable standards, safety standards and other requirements of the customers' industry. The parameters stated in this instruction may and do vary in different applications, actual performance may vary over time, and customers must use the products within their effective static storage period (within one year from the delivery date of Silan). Customer should confirm the effective static storage period of the product if purchasing from a third party. Silan does not assume any responsibility if the product has exceeded the static storage period when it is used.
5. Do not disassemble, reverse-engineer, alter, modify, decompile or copy product, without Silan's prior written consent.
6. Please identify Silan's trademark when purchasing our product. Please contact us if there is any question. Our products are not sold through TAOBAO or any other third-party e-commerce platforms. If customers purchase from such platforms, please contact us in writing before purchasing to confirm whether the product is authentic and original from Silan.
7. Please use and apply product in compliance with all applicable laws and regulations, including but not limited to trade control regulations etc. The product is civil electronic product, please do not use it in non-civil fields.
8. Product promotion is endless, our company will wholeheartedly provide customers with better products!
9. Website: <http://www.silan.com.cn>