

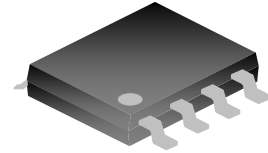
FAST TURN-OFF SYNCHRONOUS RECTIFIER CONTROLLER

1. DESCRIPTION

SD8524H is a high-performance, fast turn-off synchronous rectifier controller with a built-in 100V MOSFET. It replaces diode rectifiers for high efficiency in high-performance isolated power supply topology application. It can work with the flyback controller in CCM, DCM, QR modes.

SD8524H can be powered by the high-voltage winding or the output voltage in the flyback converter applications. A slew rate detection circuit prevents the SD8524H from turning on falsely during resonance operation.

The SD8524H is available in SOP8 package.



SOP-8-225-1.27

2. FEATURES

- ◆ Integrated high-performance MOSFET (100V, 15mΩ)
- ◆ Supports both high-side and low-side synchronous rectification applications
- ◆ Supports DCM, CCM, and QR operations
- ◆ Slew rate detection prevents false turn-on during resonance operation
- ◆ Powered by the high-voltage winding or the output voltage
- ◆ 250μA standby current
- ◆ SOP8 package

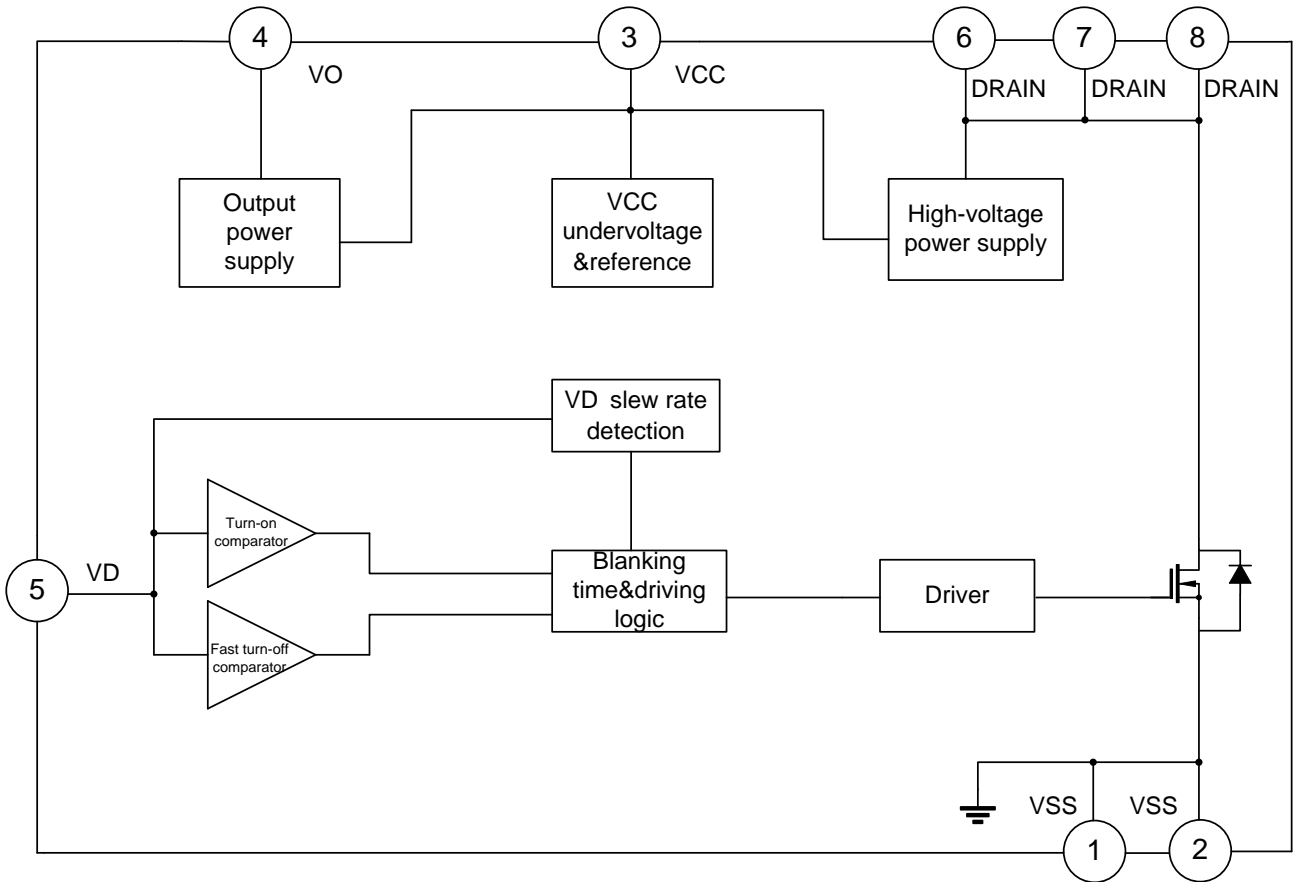
3. APPLICATIONS

- ◆ Adapters
- ◆ Chargers

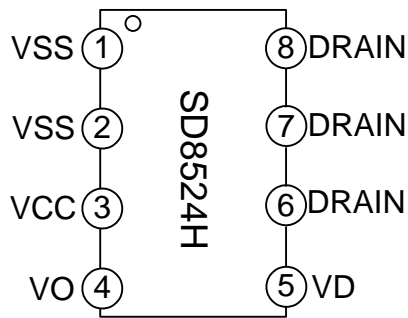
4. ORDERING INFORMATION

Part No.	Package	Marking	Hazardous Substance Control	Packing Type
SD8524H	SOP-8-225-1.27	SD8524H	Halogen free	Tube
SD8524HTR	SOP-8-225-1.27	SD8524H	Halogen free	Tape & Reel

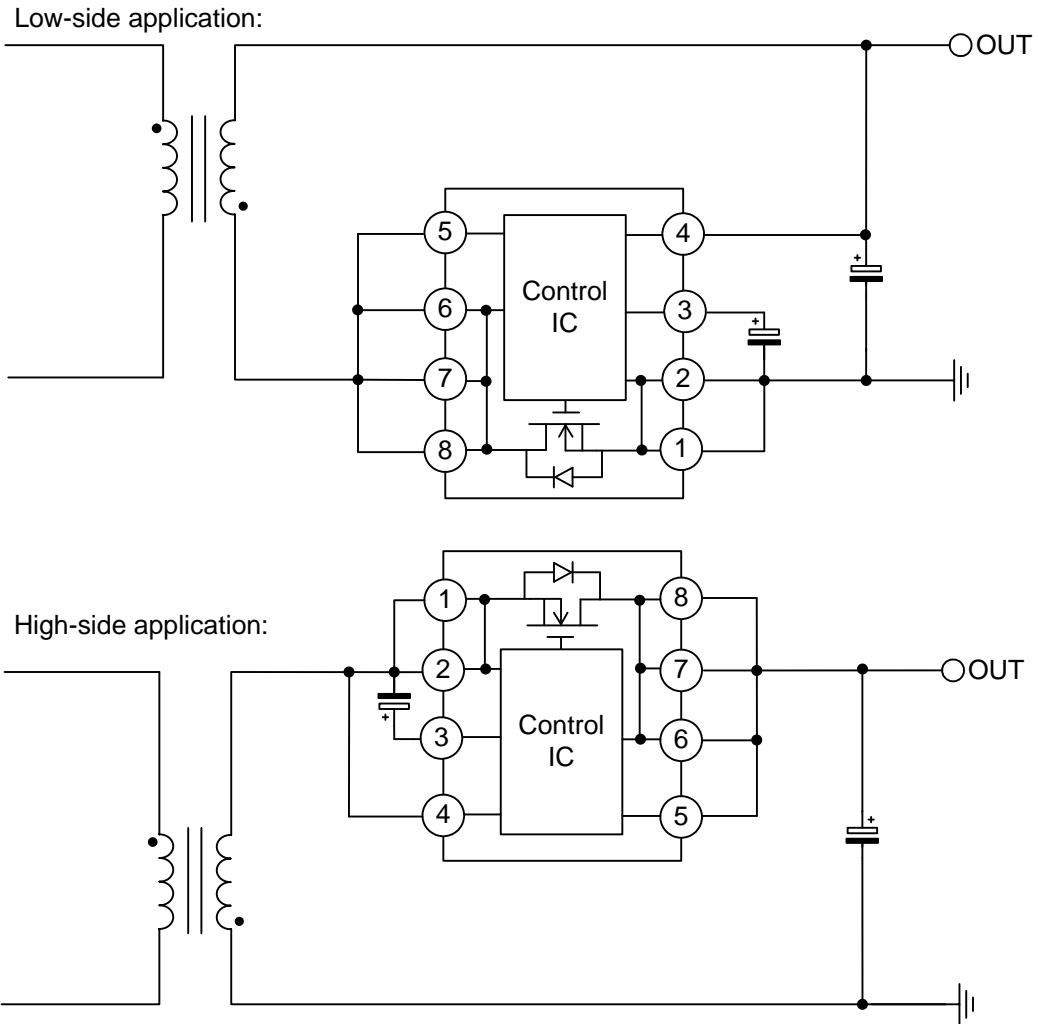
5. BLOCK DIAGRAM



6. PIN CONFIGURATION

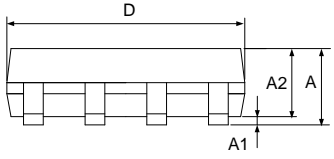


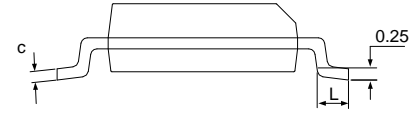
7.TYPICAL APPLICATION CIRCUIT



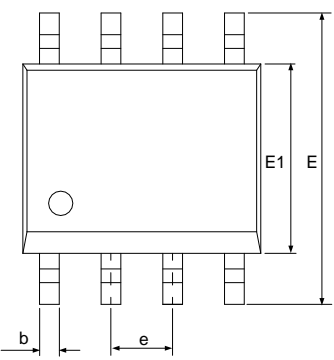
8.PACKAGE OUTLINE

SOP-8-225-1.27	UNIT: mm
----------------	----------





SYMBOL	MILLIMETER		
	MIN	NOM	MAX
A	1.35	1.55	1.75
A1	0.05	0.15	0.25
A2	1.25	—	1.65
b	0.32	0.42	0.52
c	0.15	0.20	0.26
D	4.70	4.90	5.30
E	5.60	6.00	6.40
E1	3.60	3.90	4.20
e	1.27BSC		
L	0.30	—	1.27



Important notice :

1. Silan reserves the right to make changes of this instruction without notice.
2. Customers should obtain the latest relevant information when purchasing and should verify whether such information is latest and complete. Please read this instruction and application manual and related materials carefully before using products, including the circuit operation precautions, etc.
3. The products belong to consumer electronic products. Silan does not give any warranties as to the suitability of the Silan's product for any specific use. The design intent, design definition and design of the product are not intended for application (the application stated in this instruction includes use, etc.) in transportation equipment, medical equipment, life-saving equipment, aerospace equipment, , non-civil equipment or non-civil use, etc. (the equipment stated in this instruction includes systems, devices, etc., all referred to as equipment).The product should not be used in any equipment or system whose manufacture, use or sale is prohibited under any applicable laws or regulations ("unintended use"). If the product is used for unintended use, therefore the full risks of such products application are borne by the customer and Silan assumes no liability for the product used for the unintended use. If the customer intends to use the Silan's product in a application where malfunction or failure can be reasonably be expected to result in personal injury, or serious property, or environment damage, the customer shall make adequate assessment, testing and verification, and Silan shall not be liable for such applications.
4. The application of the product described in this instruction, the application manual of the product and related materials is for illustrative purposes only, and Silan makes no warranty that such application can be used directly without further testing, verification or modification. Silan is not responsible for any assistance in product application or customers' product design. Customer shall be responsible for the application of Silan's products and the design, manufacture and use of customers' products using Silan's products (in this document, "use products", "apply Silan's products", "product application" and "customers' products using Silan's products" are synonymous). It is the sole responsibility of the customer to take the following actions: 1) Verify and determine whether Silan's products are suitable for the customers' applications and customers' products; 2) All applicable standards of the customers' industry shall be complied with and fully tested and verified when applying Silan's product or using Silan's product to develop and design customers' products; 3) Although Silan is constantly committed to improve product's quality and reliability, semiconductor products have possibility to malfunction or fail in various application environments. Customers are responsible for complying with safety standards and for providing adequate designs and safeguards for customers' products using Silan's product to minimize risks and avoid situations in which a malfunction or failure could cause bodily injury or damage to property; 4) When using the products, please do not exceed the maximum rating of the products, Stress above one or more limiting values will cause damage to the product and the equipment or affect the reliability to the equipment (customers' product); 5) Ensure customers' product using Silan's product are designed, manufactured and used in full compliance with all applicable standards, safety standards and other requirements of the customers' industry. The parameters stated in this instruction may and do vary in different applications, actual performance may vary over time. Customers must use the products within their effective static storage period, please contact Silan sales or Silan customer service support and sales management department if there is any questions about the effective static storage period, Silan does not assume any responsibility if the product has exceeded the static storage period when it is used.
5. Do not disassemble, reverse-engineer, alter, modify, decompile or copy product, without Silan's prior written consent.
6. Please identify Silan's trademark when purchasing our product. Please contact us if there is any question. Our products are not sold through TAOBAO or any other third-party e-commerce platforms. If customers purchase from such platforms, please contact us in writing before purchasing to confirm whether the product is authentic and original from Silan.
7. Please use and apply product in compliance with all applicable laws and regulations, including but not limited to trade control regulations etc. The product is civil electronic product, please do not use it in non-civil fields.
8. Product promotion is endless, our company will wholeheartedly provide customers with better products!
9. Website: <http://www.silan.com.cn>